



Sink - LULU

Lavatory spout, deck-mounted without drain - polished chrome

Article number: 13 716 710-00 0010



- 6-1/8" Projection
- Rigid spout
- Round aerated stream
- Total height 4-1/2"
- Height to aerator/spout outlet 3-1/2"
- 1-3/8" hole diameter
- 1/2" connection
- Water flow rate limited to max. 1.2 gpm
- lead-free

Codes & Standards

- NSF/ANSI 372
 - California Energy Commission (CEC)
 - ASME A112.18.1/CSA B125.1
 - NSF/ANSI/CAN 61
-
- inlet: 2x pressure hose with 1/2" compression fitting
 - For Touchfree control please order eSet Touchfree WITH or WITHOUT temperature adjustment



polished chrome

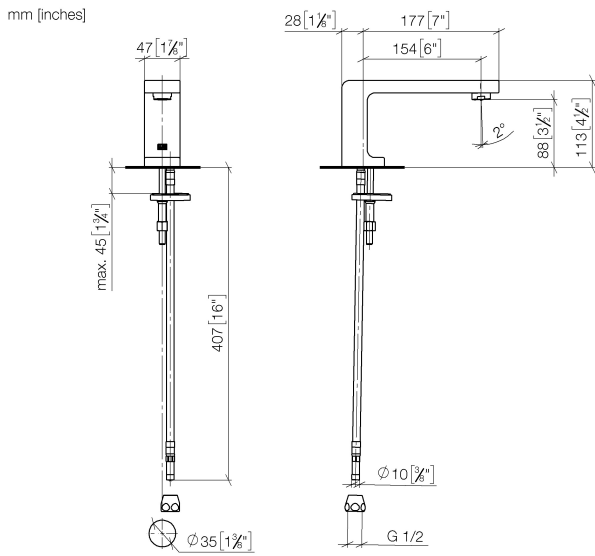
Discontinued items available to order until 31.12.9999

Sink - LULU

Lavatory spout, deck-mounted without drain - polished chrome

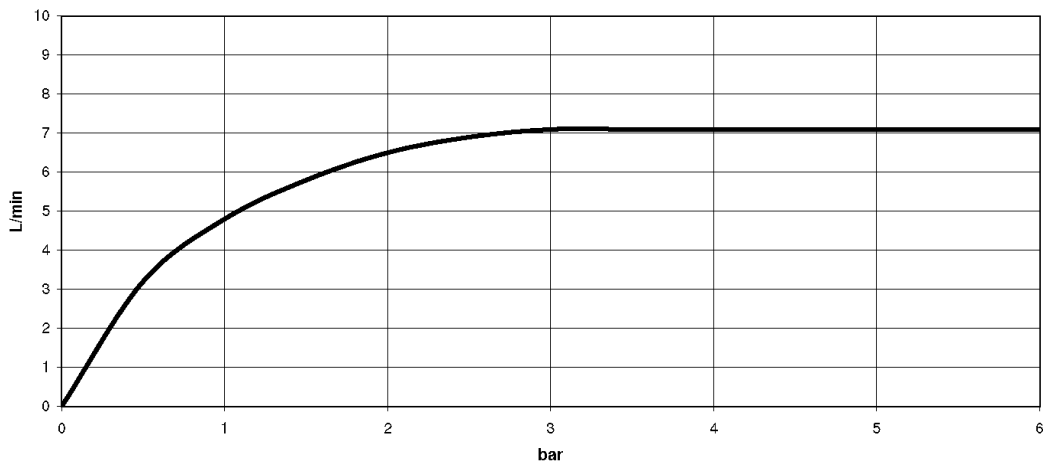
Article number: 13 716 710-00 0010

Dimensional drawing



All dimensions in mm / inch = mm x 0,0394

Flow rate chart



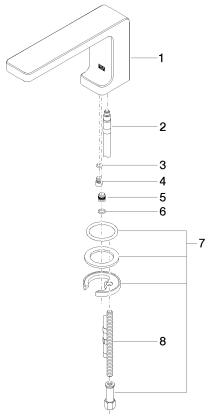


Sink - LULU

Lavatory spout, deck-mounted without drain - polished chrome

Article number: 13 716 710-00 0010

Spare parts list



Number	Item Number	Designation	Number of units
1	90 11 71 096 01-00	spout	1
2	04 30 04 018 00 90	hose	1
3	09 14 10 132 90	seal	1
4	09 31 20 108 90	plug	1
5	09 31 20 052 90	plug	1
6	09 14 10 061 90	seal	1
7	04 30 11 038 75 90	fixing set	1
8	09 31 11 012 90	pin	1